

ROLL-UP SCREEN DOOR

Rite-Hite Doors offers the BUGSHIELD roll-up screen door to help keep pests out and allows fresh air and daylight in.

Heavy-duty material

Strong, vinyl coated mesh is available in various colors and weave sizes.

Improve safety and security

Employees feel safer with a visual barrier that also deters theft and vandalism, and enables light to enter the work area.

Exceptional seal

No top gap with our exclusive Turn-Tite® seal, and water resistant Hypalon® bottom seal.

Roll-up door

Manual or powered units available.

Exterior Design

Designed for exterior doorways and loading docks.

Various Mounting Designs

In-jamb, narrow in-jamb, face and overhead door mounts available.



SHIELD YOUR OPERATION FROM UNWANTED INTRUDERS.

BUGSHIELD™ roll-up screen door protects your loading dock openings and exterior doorways with a screen barrier. Its unique mesh design keeps pests out and allows fresh air and daylight in. Your employees will be more comfortable and productive. The BUGSHIELD door also improves safety, providing a visual barrier rather than an open doorway. With BUGSHIELD doors, theft and vandalism are discouraged.

BUGSHIELD is part of our full lineup of innovative door solutions. For more details on our full lineup of industrial, cold storage and impact doors, contact your Rite-Hite Doors Representative or call 1-800-456-0600.

Size

Minimum:

- Manual - 4' w x 7' h (1220 mm x 2135 mm)
- Powered - 4' w x 7' h (1220 mm x 2135 mm)

Maximum:

- Manual - 10'3" w x 10'3" h (3125 mm x 3125 mm)
- Powered - 14' w x 14' h (4268 mm x 4268 mm)

Temperature range

-20°F to 140°F

Curtain material/color options

- ▶ Heavy-duty vinyl coated mesh
- ▶ Sewn-in wind bars to maintain curtain shape and stability
- ▶ Standard 17 x 11 weave, .025" thread diameter
- ▶ Available colors are safety yellow, red, blue and gray
- ▶ Optional 20 x 30 weave, .013" thread diameter, black
- ▶ Optional 20 x 20 weave, .013" thread diameter, gray
- ▶ Optional 10 x 10 weave, .028" thread diameter, black

Track

The standard track on the in-jamb and face mount doors are made of extruded PVC for strength and durability. Steel track is an option. For overhead door mount, steel is standard. Polyethylene track inserts provide added wind resistance and smooth door operation.

Seals

Turn-Tite® top seal, polyethylene track inserts, and water resistant Hypalon® bottom seal.

Control box and power source

Control box is NEMA 4X enclosure with constant contact rotary cam switch. 120 volt, AC, 1 ph, 60 Hz motor.

Safety features

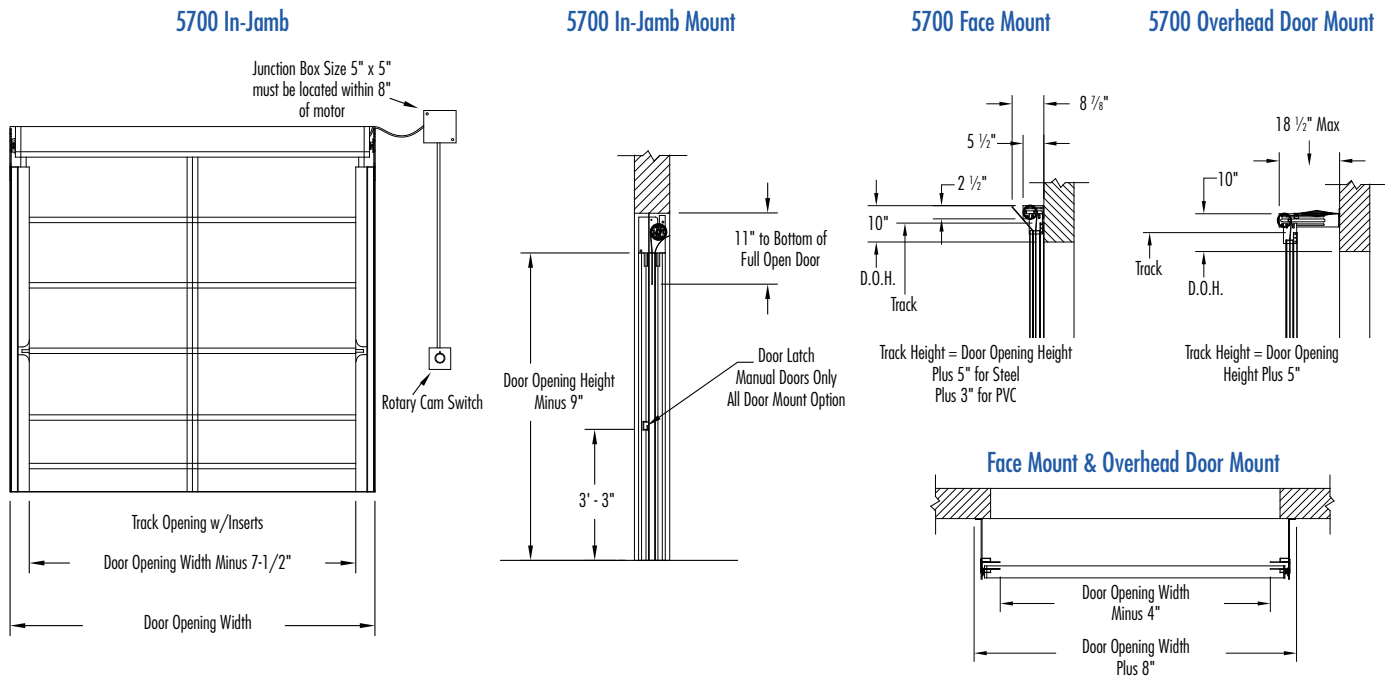
Door is visual barrier instead of an open doorway. Powered models have a constant contact switch for total control of operation. Door does not operate with any external activation.

Drive system

Manual models utilize a 10,000 cycle torsional spring in the roll tube. Includes pull down handles and a bumper stop to prevent curtain over travel. Powered models operated by a tubular motor with gear head, free fall brake protection, and rotary limit switches. The motor is contained within the roll tube and drives the tube with an integral key.

Warranty

Limited 1-year parts and labor. Rite-Hite Doors also offers an exclusive 1-year customer satisfaction money back guarantee.



Rite-Hite Corporation

8900 North Arbon Drive Milwaukee, WI 53223 USA (414) 355-2600 (800) 456-0600 FAX: (414) 355-9248
 Mailing Address: Rite-Hite Corporation P.O. Box 245020 Milwaukee, WI 53224 USA

www.ritehite.com